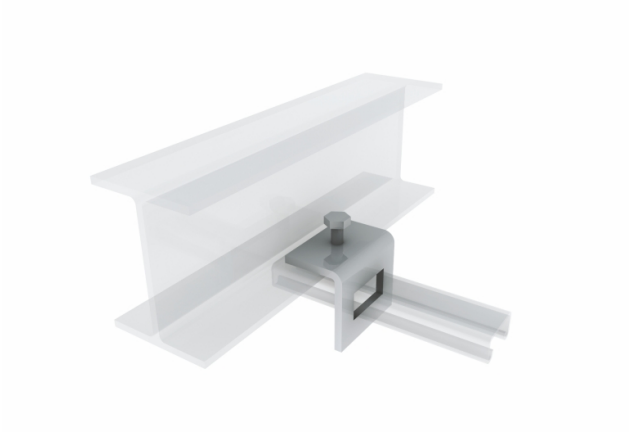


325AL11

Beam Clamp Shallow Channel c/w Cone Point



Technical

Flange Thickness (mm)	15
-----------------------	----

Datasheet generated from <https://onetimepim.com> last updated Wednesday, November 25, 2020 1:29:51 PM